



steamOres (RES) residential humidifier by **steamOvap®** is an electric steam generator that uses water immersed resistive heating elements to produce pure and sterile steam to humidify your home or office during winter.

steamOres humidifier has been designed for life. Its steam cylinder is made of stainless steel to last a lifetime. It is the only steam residential humidifier with thermal insulation offered on the market with thermal insulation of the steam cylinder and with full proportional output to save energy and improve your comfort.

Regular cleaning of the cylinder to remove scale (when you use untreated tap water) can be done by anyone in few minutes, with no technical knowledge required, without the need for tool, special equipment, or expensive spare part or consumable such as plastic cylinder.

- Produces pure & sterile steam
- Capacities from 1.9 to 13.5lb/h [0.8 to 6.1kg/h].
- Constant and precise steam production with full proportional output by standard.
- Permanent stainless steel cylinder.
- Thermally insulated cylinder.
- Compatible with any of the smart thermostat such as Ecobee, Nest, Honeywell or other.
- Supplied with Modbus RTU (RS485)
- Suitable for tap or RO water without additional option.
- Service done in minutes without the need of special skills or spares.
- Supplied with all installation accessories.

BEST CHOICE FOR ENGINEERS

- Resistive immersed heaters technology - no plastic canister going to waste.
- Thermally insulated cylinder.
- 0-100% full proportional output by standard
- Exceptional robustness with heater of lowest watt density of the industry.

PREFERRED BY CONTRACTORS

Easiest to install

- Everything is in the box all accessories for a quick and easy installation are included.

Easiest to set-up and start-up

- Versatile set-up with touch pad control

Easiest to service

- Done in minutes & absolutely no spare parts required.

INNOVATION

- Designed for life: The most sustainable residential steam humidifier offered on the market.
- Resistive immersed heaters technology: No disposable plastic canister.
- Touch pad control & embedded Modbus remote connection, allow for easy communication with other equipment such as HRV.

MADE IN CANADA

Proudly designed and made in Canada by a dedicated team combining more than 40 years of experience in humidification.

WARRANTY 5 YEARS **5 year warranty on the cylinder**
No need to replace plastic cylinder at every service!

WARRANTY 3 YEARS **RES humidifier is offered with a 3 year warranty.**

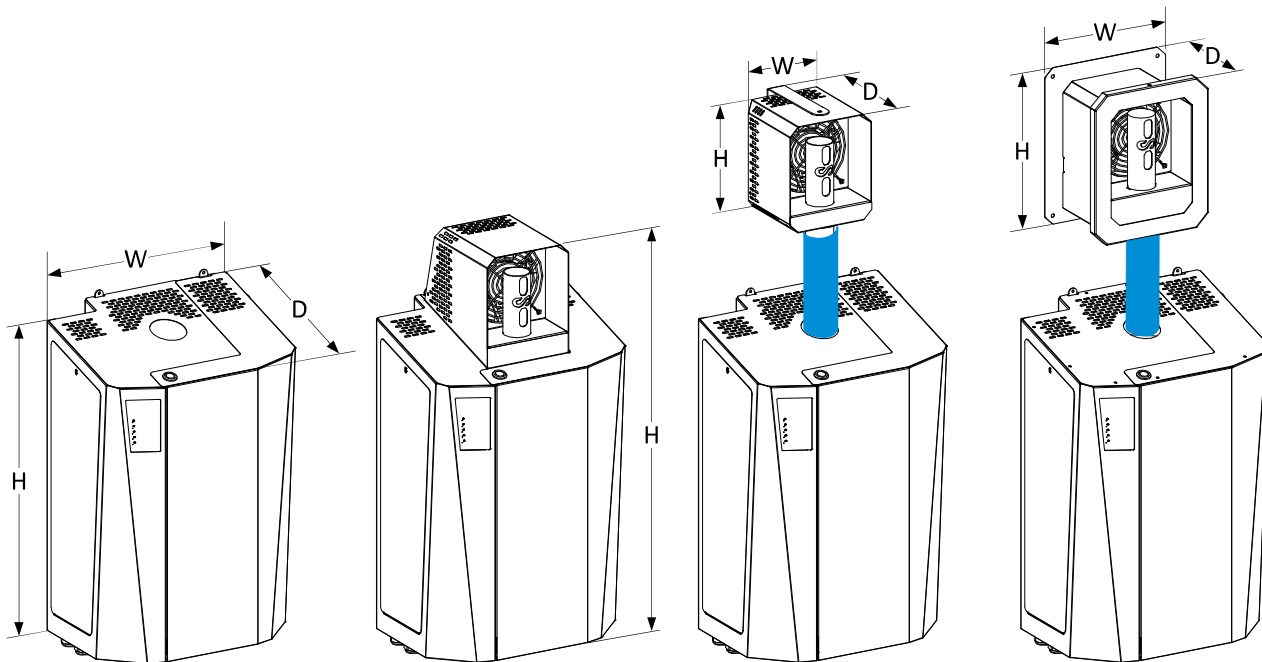
TECHNICAL DATA

Model	RES120				RES208				RES240		
	-06	-08	-11	-15	-19	-24	-34	-45	-25	-32	-45
Capacity (lb/h) [kg/h]	1.9lb/h [0.86]	2.4lb/h [1.09]	3.4lb/h [1.54]	4.5lb/h [2.0]	5.6lb/h [2.5]	7.2lb/h [3.3]	10.1lb/h [4.6]	13.5lb/h [6.1]	7.5lb/h [3.4]	9.6lb/h [4.4]	13.5lb/h [6.1]
Power (kW)	0.6kW	0.8kW	1.1kW	1.5kW	1.9kW	2.4kW	3.4kW	4.5kW	2.5kW	3.2kW	4.5kW
Current (A)	5.2A	6.7A	9.4A	12.5A	9.1A	11.6A	16.3A	21.7A	10.4A	13.3A	18.8A
Voltage (Vac) / ph	120/1				208/1				240/1		

Kit D (in Duct), supplied with wall mounting bracket, steam ramp, steam hose, air proving switch, water supply braided hose, and drain hose.

Kit S (in Space), supplied with space blower distribution, wall mounting bracket, steam hose (if applicable), water supply braided hose, and drain hose.

TECHNICAL DRAWINGS



Dimensions (in) [cm]	Kit D (in duct)			Kit S (in space) with SB-BI (Built-in)			Kit S (in space) with SB-RM (Remote)			Kit S (in space) with SB-TW (Through Wall)		
	W	H	D	W	H	D	W	H	D	W	H	D
RES humidifier	12in [30]	18in [45]	10in [25]	12in [30]	22.5in [56.3]	10in [25]	12in [30]	18in [45]	10in [25]	12in [30]	18in [45]	10in [25]
SB blower	-	-	-	-	-	-	5in [12.5]	6.5in [16.3]	6in [15]	7.5in [18.8]	9in [22.5]	3.5 to 6.5in [8.8 to 16]
Weight (lb) [kg]	Net		Operating	Net		Operating	Net		Operating	Net		Operating
RES humidifier	22lb [10]		29lb [13]	26lb [12]		33lb [15]	22lb [10]		29lb [13]	22lb [10]		29lb [13]
SB blower	-		-	-		-	5lb [2.3]		-	5lb [2.3]		-

List of options: Floor mounting rack, BACnet remote control.