



steamOres (RES) residential humidifier by **steamOvap®** is an electric steam generator that uses water immersed resistive heating elements to produce pure and sterile steam to humidify your home or office during winter.

steamOres humidifier has been designed for life. Its steam cylinder is made of stainless steel to last a lifetime. It is the only steam residential humidifier with thermal insulation offered on the market with thermal insulation of the steam cylinder and with full proportional output to save energy and improve your comfort.

Regular cleaning of the cylinder to remove scale (when you use untreated tap water) can be done by anyone in few minutes, with no technical knowledge required, without the need for tool, special equipment, or expensive spare part or consumable such as plastic cylinder.

- Produces pure & sterile steam
- Capacities from 0.8 to 5.6kg/h
- Constant and precise steam production with full proportional output by standard.
- Permanent stainless steel cylinder.
- Thermally insulated cylinder.
- Compatible with any of the smart thermostat such as Ecobee, Nest, Honeywell or other.
- Supplied with Modbus RTU (RS485)
- Suitable for tap or RO water without additional option.
- Service done in minutes without the need of special skills or spares.
- Supplied with all installation accessories.

BEST CHOICE FOR ENGINEERS

- Resistive immersed heaters technology - no plastic canister going to waste.
- Thermally insulated cylinder.
- 0-100% full proportional output by standard
- Exceptional robustness with heater of lowest watt density of the industry.

PREFERRED BY CONTRACTORS

Easiest to install

- Everything is in the box all accessories for a quick and easy installation are included.

Easiest to set-up and start-up

- Versatile set-up with touch pad control

Easiest to service

- Done in minutes & absolutely no spare parts required.

INNOVATION

- Designed for life: The most sustainable residential steam humidifier offered on the market.
- Resistive immersed heaters technology: No disposable plastic canister.
- Touch pad control & embedded Modbus remote connection, allow for easy communication with other equipment such as HRV.

MADE IN CANADA

Proudly designed and made in Canada by a dedicated team combining more than 40 years of experience in humidification.

WARRANTY 5 YEARS **5 year warranty on the cylinder**
No need to replace plastic cylinder at every service!

WARRANTY 3 YEARS **RES humidifier is offered with a 3 year warranty.**

TECHNICAL DATA

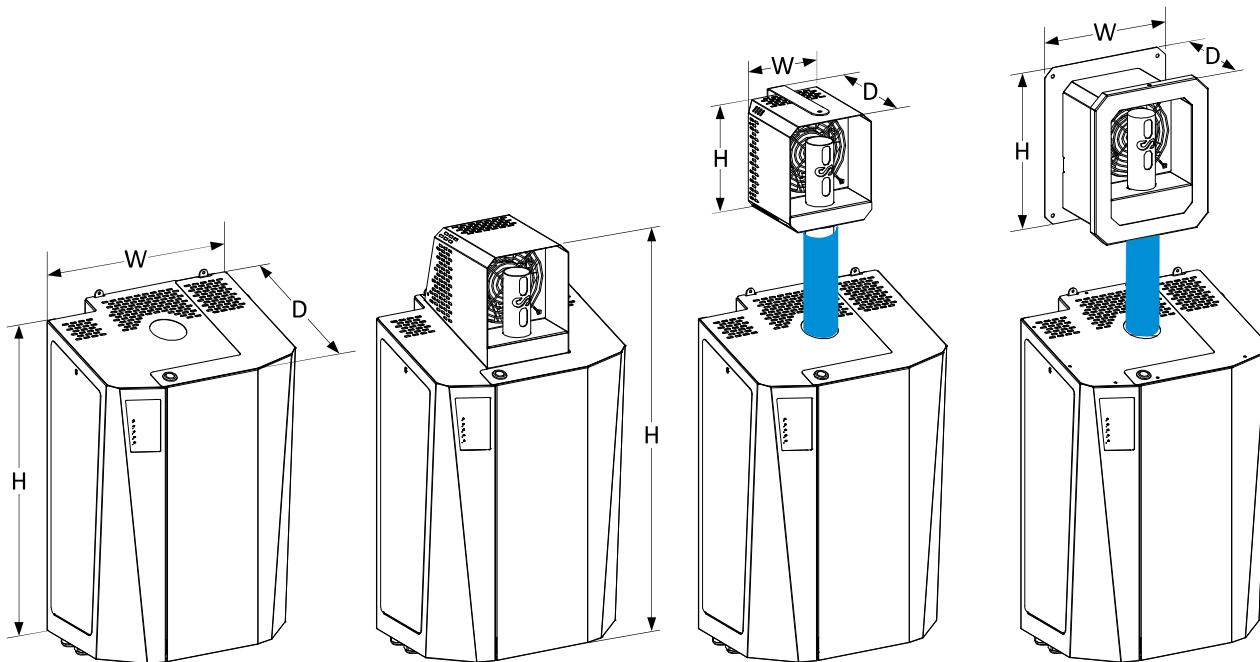
Model	RES230-23	RES230-29	RES230-37	RES230-42
Capacity	3.0kg/h	4.0kg/h	5.0kg/h	5.6kg/h
Power (kW)	2.3kW	2.9kW	3.7kW	4.2kW
Current (A)	10.0A	12.8A	16.0A	18.0A
Voltage (Vac) / ph	230/1			

Kit D (in Duct), supplied with wall mounting bracket, steam ramp, steam hose, water supply braided hose, and drain hose.

Kit S (in Space), supplied with space blower distribution, wall mounting bracket, steam hose (if applicable), water supply braided hose, and drain hose.

Models RES230-23 & RES230-29 are supplied with power cord and 230V standard plug.

TECHNICAL DRAWINGS



Dimensions	Kit D (in duct)			Kit S (in space) with SB-BI (Built-in)			Kit S (in space) with SB-RM (Remote)			Kit S (in space) with SB-TW (Through Wall)		
	W	H	D	W	H	D	W	H	D	W	H	D
RES humidifier	30cm	45cm	25cm	30cm	56.3cm	10.3cm	30cm	45cm	25cm	30cm	45cm	25cm
SB blower	-	-	-	-	-	-	12.5cm	16.3cm	15cm	18.8cm	22.5cm	8.8 to 16cm
Weight (lb) [kg]	Net	Operating		Net	Operating		Net	Operating		Net	Operating	
RES humidifier	10kg	13kg		12kg	15kg		10kg	13kg		10kg	13kg	
SB blower	-	-		-	-		2.3kg	-		2.3kg	-	

List of options: Floor mounting rack, BACnet remote control.