

RT-L enclosure for IER24, 34, 44 & 62 dimensions

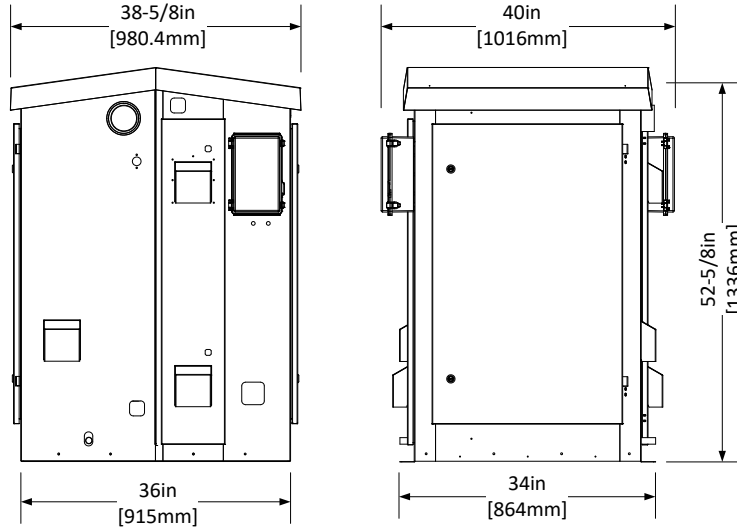


Fig 1 – RT Large dimensions

Please select mounting and connections options to fit to your planned installation:

Project name	PO #
--------------	------

RT mounting options

Mounting options	Description
<input type="checkbox"/> Option 1: Roof curb mounting	IER RT-L enclosure to be installed on a roof curb base 4in [100mm] thick. A pipe chase open with inside the building is provided, RT enclosure base will not be thermally insulated.
<input type="checkbox"/> Option 2: Floor stand or frame mounting	IER RT-L enclosure to be installed on a frame or stand bolted on the roof or ground. No pipe chase communicating inside the building, RT enclosure base will be thermally insulated.

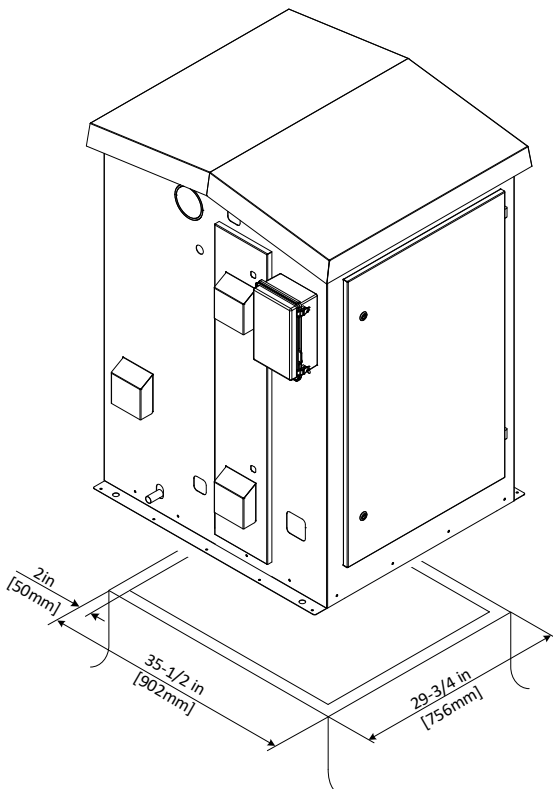


Fig 2. Mounting option 1

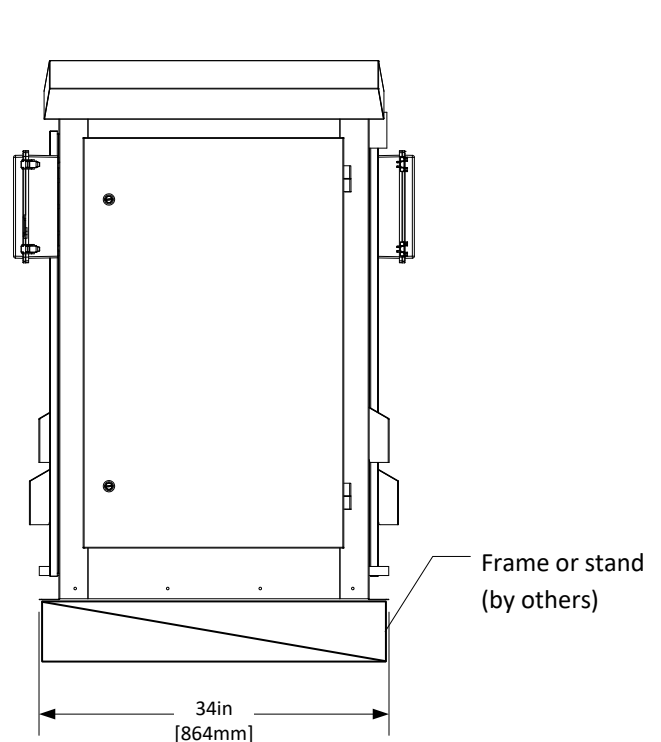


Fig 3. Mounting option 2

Steam connection options

Steam connection options	Description
<input type="checkbox"/> Option 1: Pipe chase option	Steam hose will go through the pipe chase inside the building Important: Only available if mounting option 1 is selected
<input type="checkbox"/> Option 2: Right or left hand side	Steam outlet plate will be located on the right or left hand side panel of the RT enclosure
<input type="checkbox"/> Option 3: Left hand side	Steam outlet plate will be located on the Left hand side panel of the RT enclosure

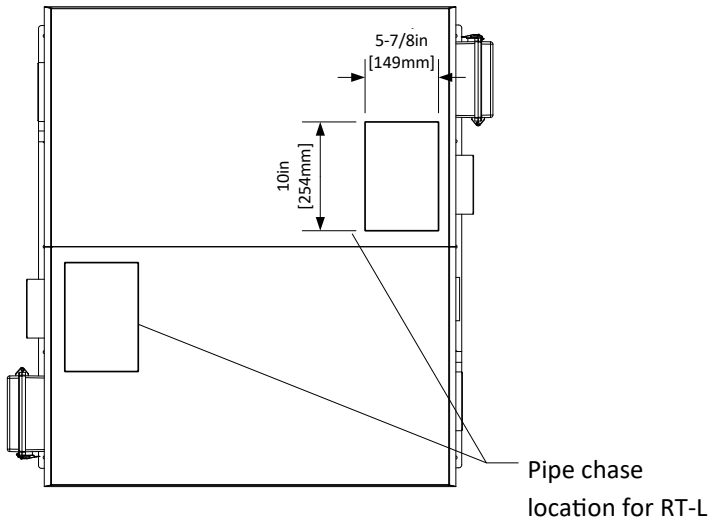


Fig 4 steam connection option 1

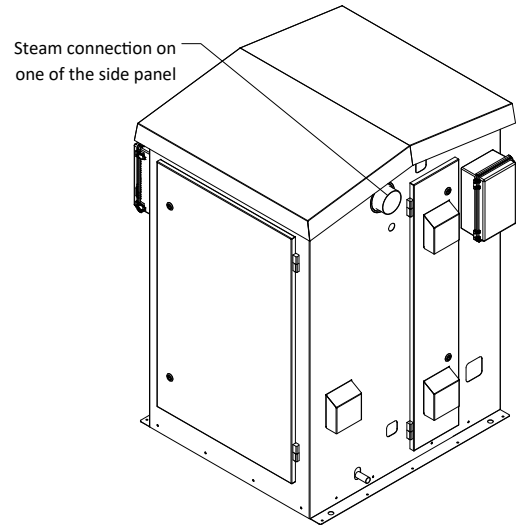


Fig 5. Steam connection option 2 or 3

Drain connection options

Main drain connection options	Description
<input type="checkbox"/> Option 1: Pipe chase option	Main drain hose will go through the pipe chase inside the building Important: Only available if mounting option 1 is selected
<input type="checkbox"/> Option 2: Right hand side	Main drain outlet will be located on the right hand side panel of the RT enclosure same side as steam outlet
<input type="checkbox"/> Option 3: Left hand side (opposite to steam outlet)	Main drain outlet will be located on the left hand side panel of the RT enclosure <u>opposite</u> side to steam outlet

Note: there are two pan drain connections on each side of the RT-L enclosure

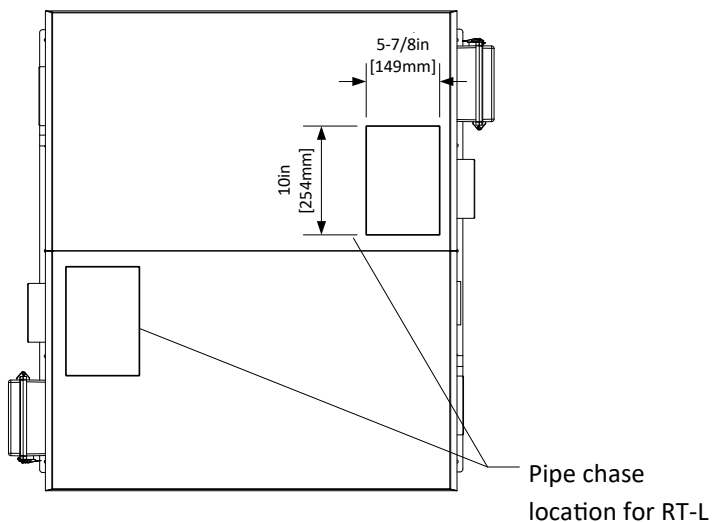


Fig 6 Main drain connection option 1

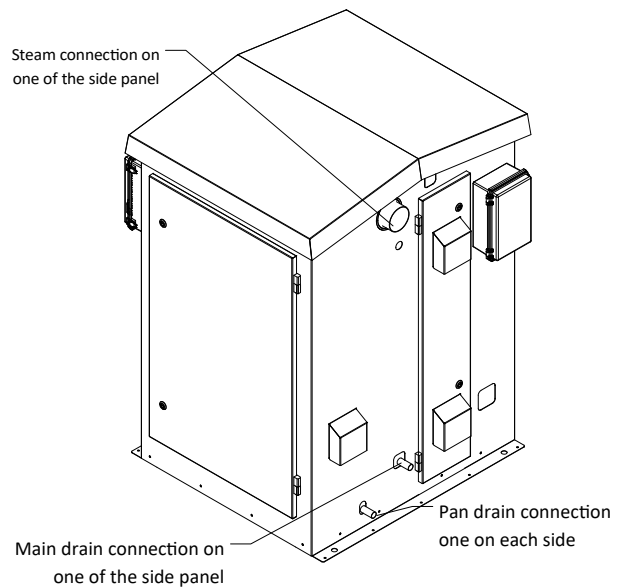


Fig 7. Drain connections option 2 & 3

Water supply connections options

Water supply connection options	Description
<input type="checkbox"/> Option 1: Pipe chase option	Water supply hose will go through the pipe chase from inside the building Important: Only available if mounting option 1 is selected
<input type="checkbox"/> Option 2: Right hand side	Water supply inlet will be located on the right hand side panel of the RT enclosure
<input type="checkbox"/> Option 3: Left hand side (opposite to steam outlet)	Water supply inlet will be located on the left hand side panel of the RT enclosure opposite side to steam outlet

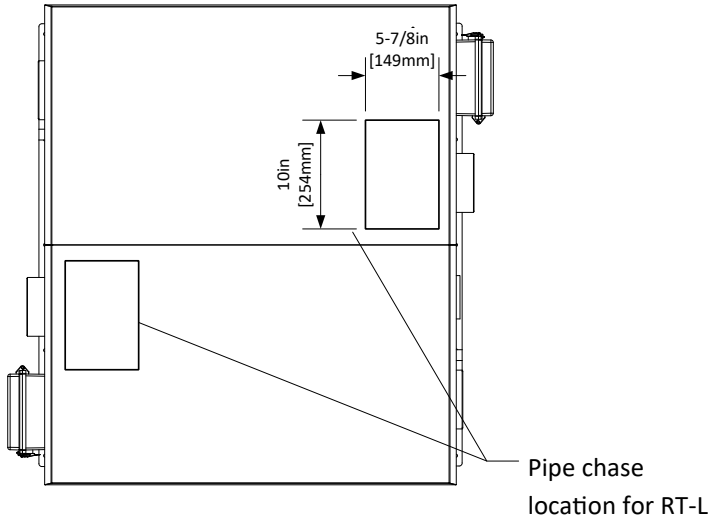


Fig 8. Water supply connection option 1

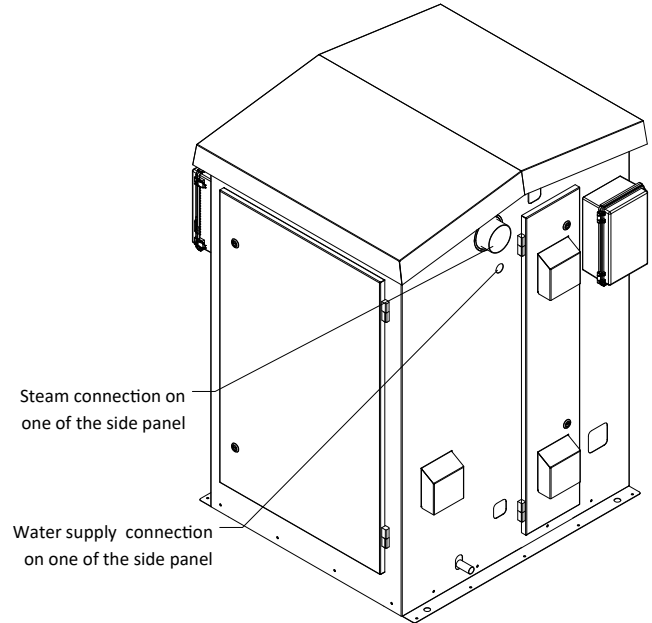


Fig 9. Water supply connection option 2

Electrical connections options

Electrical connections options	Description
<input type="checkbox"/> Option 1: Pipe chase option	Power supply line and controls lines will go through the pipe chase from inside the building Important: Only available if mounting option 1 is selected
<input type="checkbox"/> Option 2: Left hand side from module	Electrical inlet bushing plate will be located on the left hand side panel next to cylinder module

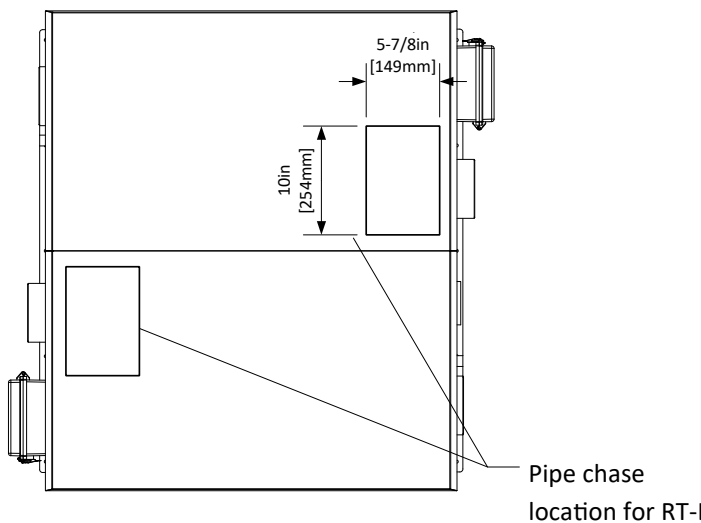


Fig 10 Electrical connections option 1

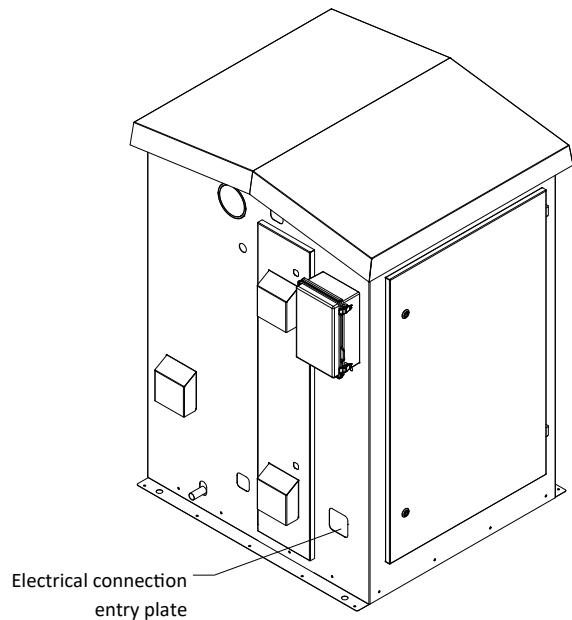


Fig 11. Electrical connections option 2