



Project Name:

Zone:

Date:

## SB product data sheet

### Humidification load

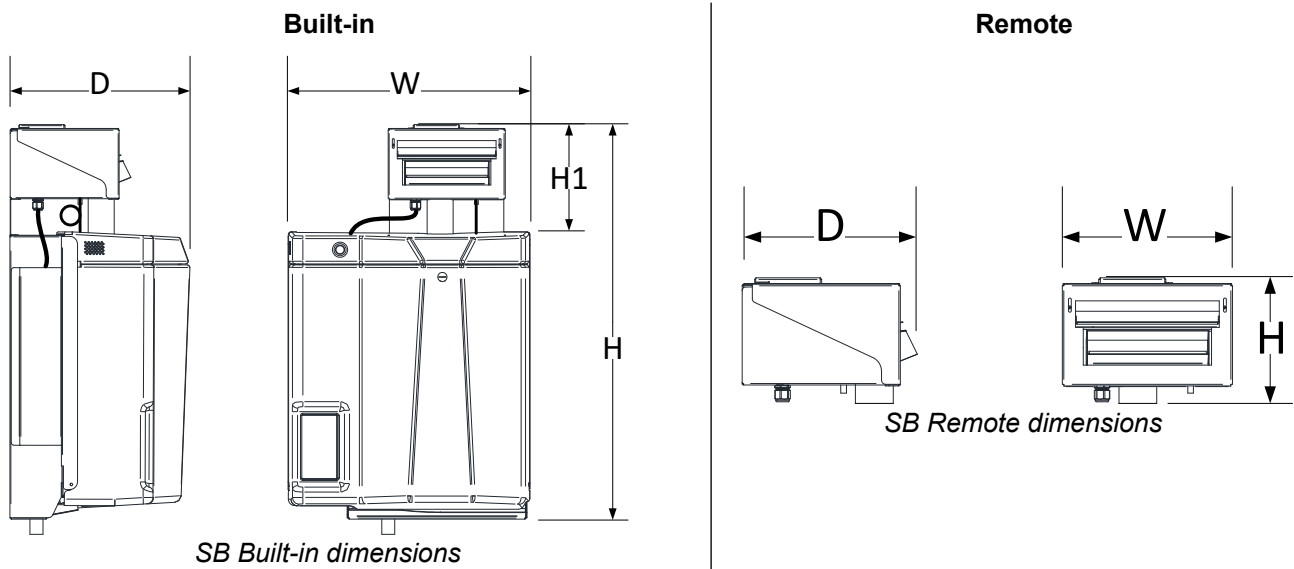
Calculated load:  Humidifier model:

### SB ratings



| Model      | Steam Capacity       | Airflow                          | Power | Voltage |             | Current       |
|------------|----------------------|----------------------------------|-------|---------|-------------|---------------|
|            |                      |                                  |       | Remote  | Built-in    |               |
| <b>SBS</b> | 26lb/h<br>[12kg/h]   | 220CFM<br>[375m <sup>3</sup> /h] | 34W   | 120Vac  | Same as IER | 0.3A @ 120Vac |
| <b>SBM</b> | 65lb/h<br>[29.5kg/h] | 330CFM<br>[560m <sup>3</sup> /h] | 60W   | 120Vac  | Same as IER | 0.6A @ 120Vac |
| <b>SBL</b> | 96lb/h<br>[44kg/h]   | 330CFM<br>[560m <sup>3</sup> /h] | 60W   | 120Vac  | Same as IER | 0.6A @ 120Vac |

### Dimensions



| Model                     | Dimensions         |                 |                   |                   | Steam Inlet Ø     | Net weight      |
|---------------------------|--------------------|-----------------|-------------------|-------------------|-------------------|-----------------|
|                           | W                  | H               | H1                | D                 |                   |                 |
| <b>SBS Built-in</b>       | 20in<br>[510mm]    | 23in<br>[585mm] | 8.5in<br>[216mm]  | 13in<br>[330mm]   | 1-1/2in<br>[DN40] | 8lb<br>[3.6kg]  |
| <b>SBS Remote</b>         | 9.25in<br>[235mm]  | 7in<br>[178mm]  | /                 | 9in<br>[229mm]    |                   |                 |
| <b>SBM / SBL Built-in</b> | 23.5in<br>[590mm]  | 38in<br>[965mm] | 10.5in<br>[267mm] | 17.5in<br>[445mm] | 2in<br>[DN50]     | 10lb<br>[4.5kg] |
| <b>SBM / SBL Remote</b>   | 11.25in<br>[292mm] | 9in<br>[229mm]  | /                 | 12in<br>[305mm]   |                   |                 |