

## SB description

SB space blower is an in-space steam distribution unit, it designed to be connected to a steam humidifier such as IER or ISE and is equipped with a blower fan allowing for direct and point of use humidification, or when no ventilation duct is installed for the room or space.

Capacity ranges from 26 to 96lb/h, with air volume from 220 to 300CFM.

SB space blower can be supplied either built-in on the humidifier or remote with a wall mounting bracket.

If built-in, SB power supply is direct from the steam humidifier. In case of remote installation, SB supply voltage is 120Vac to be connected to a standard electrical socket.

## SB typical installation

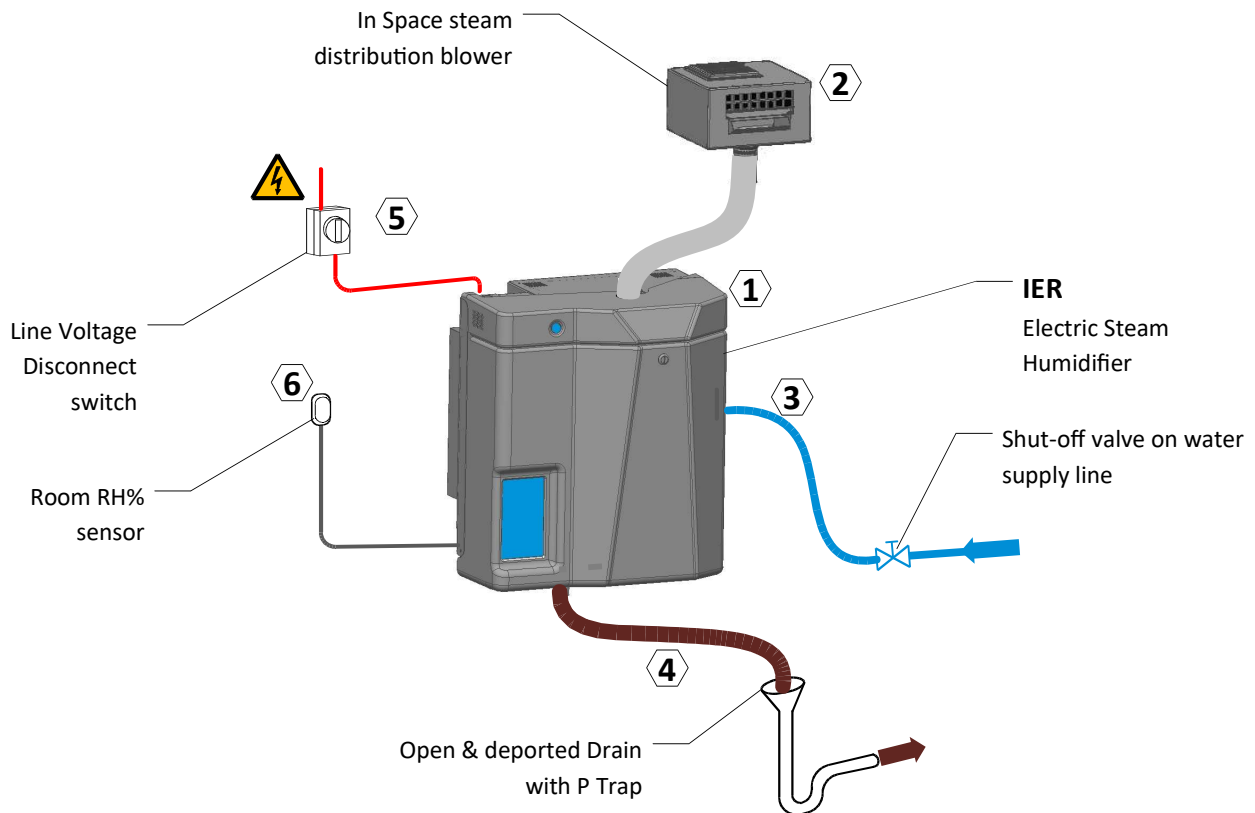


Figure 1 –IER with remote Space blower typical installation

## Installation steps :

1. Positioning & mounting of IER electric steam humidifier
2. Space blower installation (only if remote)
3. Water supply installation
4. Drain installation
5. Power supply installation
6. RH% control installation

## SB ratings

Model	Steam Capacity	Airflow	Power	Voltage		Current
				Remote	Built-in	
<b>SBS</b>	26lb/h [12kg/h]	220CFM [375m <sup>3</sup> /h]	34W	120Vac	Same as IER	0.3A @ 120Vac
<b>SBM</b>	65lb/h [29.5kg/h]	330CFM [560m <sup>3</sup> /h]	60W	120Vac	Same as IER	0.6A @ 120Vac
<b>SBL</b>	96lb/h [44kg/h]	330CFM [560m <sup>3</sup> /h]	60W	120Vac	Same as IER	0.6A @ 120Vac

## Dimensions

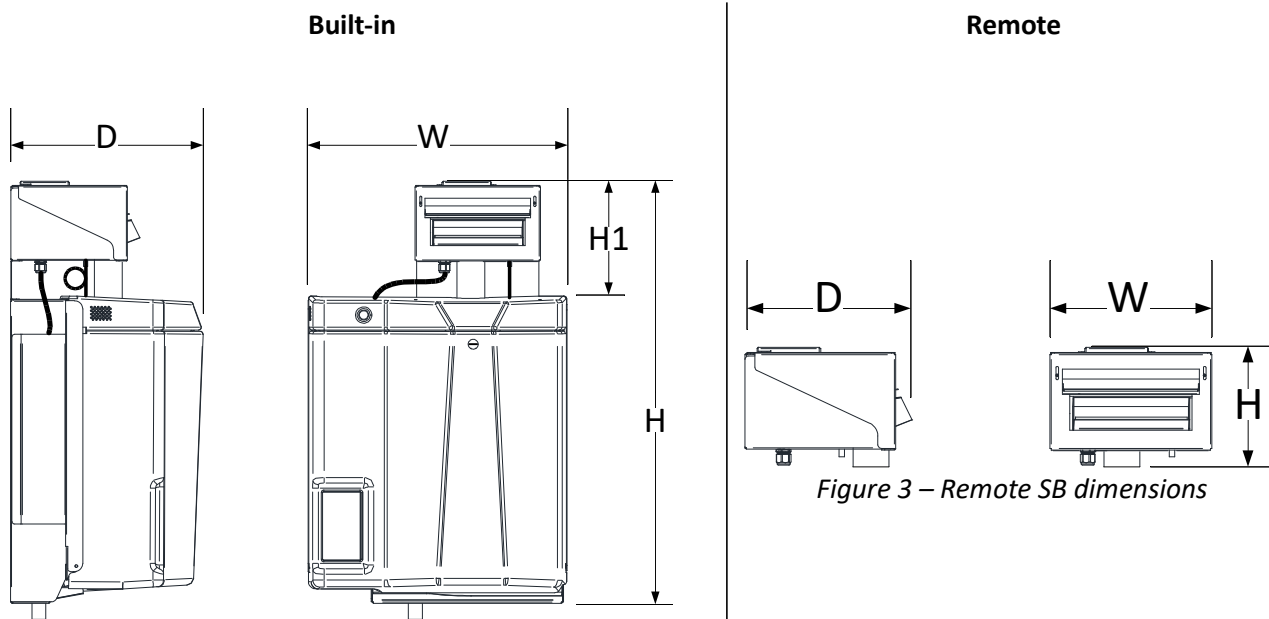


Figure 2 – Built-in SB dimensions

Figure 3 – Remote SB dimensions

Model	Dimensions				Steam Inlet $\varnothing$	Net weight
	W	H	H1	D		
<b>SBS Built-in</b>	20in [510mm]	23in [585mm]	8.5in [216mm]	13in [330mm]	1.5in [DN40]	8lb [3.6kg]
<b>SBS Remote</b>	9.25in [235mm]	7in [178mm]	/	9in [229mm]		
<b>SBM / SBL Built-in</b>	23.5in [590mm]	38in [965mm]	10.5in [267mm]	17.5in [445mm]	2in [DN50]	10lb [4.5kg]
<b>SBM / SBL Remote</b>	11.25in [292mm]	9in [229mm]	/	12in [305mm]		

### Remote Space Blower recommendations

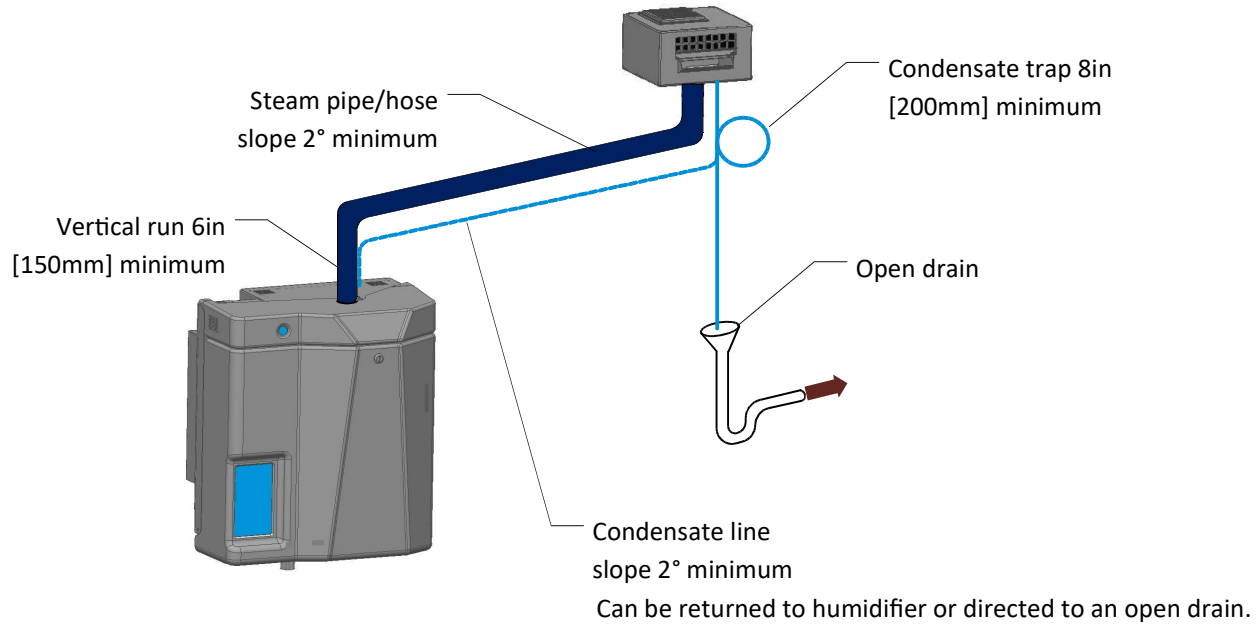


Figure 4 – Steam & condensate line for Remote SB